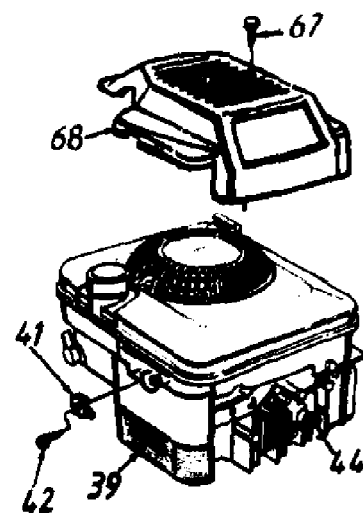
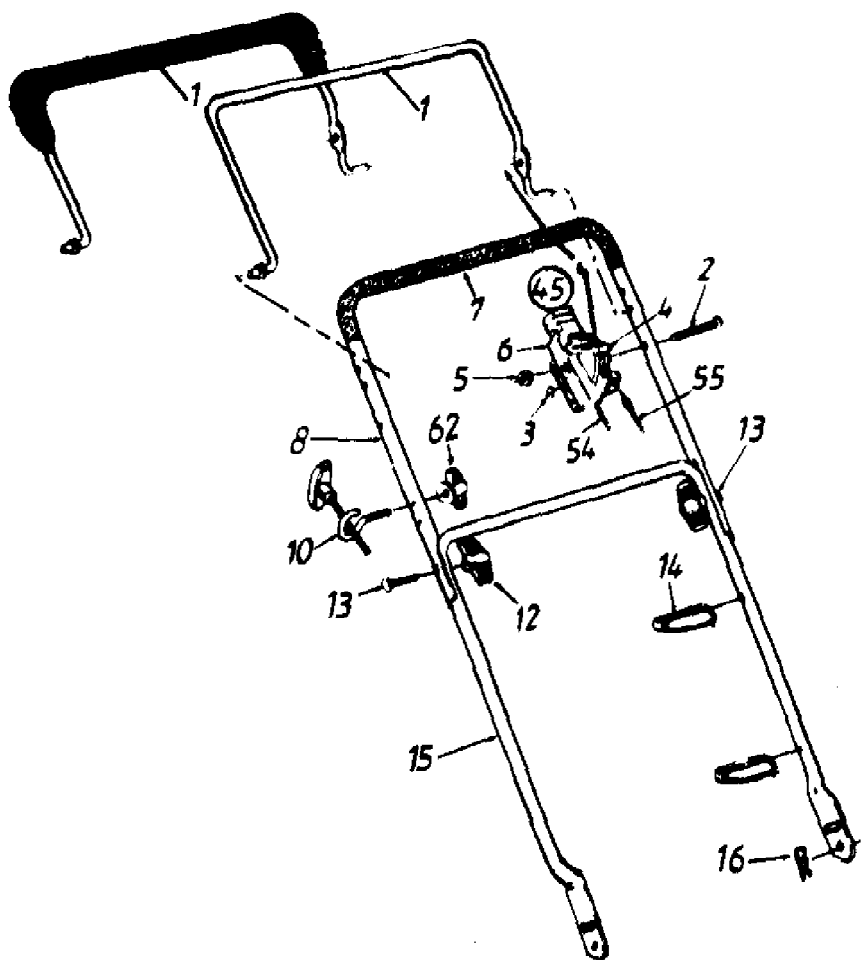


116-106F190 4.5 HP 20" Lawn Boss Mulching Mower (1996)
Deck And Wheel Assembly (106F)

Page 2 of 4

Ref #	Part Number	Qty	S/P/F	Description
17	17098	1	S	Hinge Clip
18	731-1447	1		Rear Flap (106F)
19	12935B	1		Handle Bracket Ass'y. - L.H. (106F)
20	12936B	1		Handle Bracket Ass'y. - R.H. (106F)
21	736-0356	1	S	Bell-Wash. .39" I.D. x 1.38"
22	712-0798	1	/P/F	Hex Nut 3/8-16 Thd.
23	731-0981A	1	S	Hub Cap
24	741-0484	1	S	Bearing
29	682-0016	1		20" Deck Ass'y. (106F)
30	753-0484	1		Blade Adapter Kit
31	736-0452	1	S	Bell-Wash. .46" I.D.
32	710-1044	1	/P	Hex Bolt 7/16-20 x 1.5" Lg.
33	742-0720	1	S	20" Mulching Blade (106F)
34	710-1055	1	/P	Hex Bolt 3/8-24 x 1" Lg.
35	736-0169	1	S/F	L-Wash. 3/8" I.D.
36	712-0241	1	/P	Hex Nut 3/8-24 Thd.
46	738-0102	1	S	Axle Bolt
47	736-0105	1	/P	Bell-Wash. .400" I.D. x .88"
48	738-0507B	1	S	Shld. Bolt .50" Dia. x .357"
49	14832	1	S	Spring Lever Ass'y. w/Knob
50	15262B	1	/P	Pivot Bar
51	15261A	1	S	Height Adj. Plate
52	734-1793	1		Wheel Ass'y. Comp.
53	14578	1	/P	Height Adj. Ass'y. Comp. - R.F. & L.R.
	14579	1		Height Adj. Ass'y. Comp. - L.F. & R.R.
57	710-0654A	1	/P	Hex L-Wash. Hd. Scr. 3/8-16 x 1.0" Lg.
58	736-0504	1	S	Wave Washer .51" I.D.
?59	710-0603	1	/P	Hex Wash. Hd. B-Tap Scr. 5/16-18 x .5" Lg.
63	682-7000	1	/P	Mulching Plug (106F)
64	731-1409	1	S	Chute Deflector
65	736-0270	1	/P	Bell-Wash. 1/4" I.D.
66	710-0599	1	/P	Hex Wash. Hd. TT-Tap Scr. 1/4-20 x .5" Lg.



116-106F190 4.5 HP 20" Lawn Boss Mulching Mower (1996)
Engine And Handle Assembly

Page 4 of 4

Ref #	Part Number	Qty	S/P/F	Description
1	647-0004	1		Control Handle Ass'y. (106F)
	747-0824	1	S	Control Handle Ass'y. (702E)
2	710-0605	1	/P	Oval C-Sunk Scr.
3	736-0501	1	S	Spr. Wash..66" I.D.
4	746-0876	1	S	Throttle Lever
5	712-0324	1	/P	Hex L-Nut 1/4-20 Thd.
6	646-0875	1	S	Throttle Body
7	720-0226	1	S	Grip (106F)
8	749-0538C	1	S	Upper Handle
10	710-1205	1	/P	Rope Guide
12	720-0276	1	S	Hand Knob
13	710-1174	1	/P	Curved Hd. Bolt 5/16-18 x 2" Lg.
14	726-0240	1	S	Cable Tie
15	749-0928	1	S	Lower Handle
16	714-0104	1	S	Hairpin Cotter
39		1		Engine
41	751B213146	1	/P	Cable Clamp
42	710-1237	1		Hex Self-Tap Scr. #10-32 x .62"
44	735-0639	1	/P	Spark Plug Boot
45	811-00185	1	S	Throttle Box Comp. Incl. Ref. 2, 3, 4, 5, 6
54	746-0842	1	S	Throttle Cable - 51" Lg.
55	746-0553	1	S	Control Cable - 36" Lg.
?59	710-0603	1	/P	Hex Wash. Hd. B-Tap Scr. 5/16-18 x .5" Lg.
62	720-0279	1	/P	Handle Knob 1/4-20 Thd.
67	710-1256	1	/P	Hi-Lo Scr. #10 x 1.25" Lg. (106F)
68	751B281451	1	/P	Engine Shroud (106F)